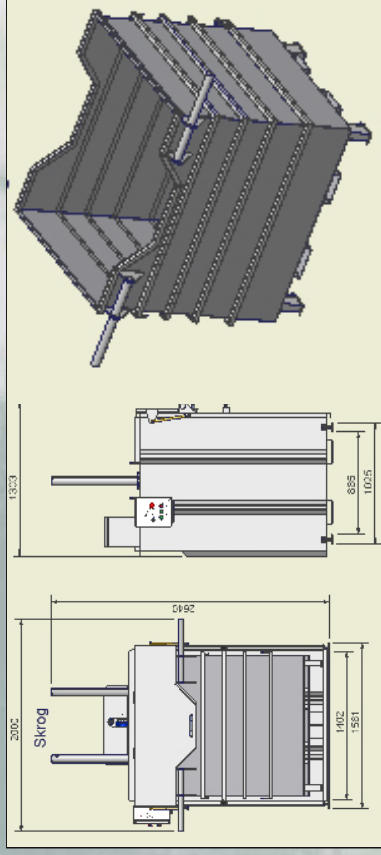


## ENVIRONMENTALLY FRIENDLY

- Compresses both dry and wet waste.
- No leakage. The container is 100% waterproof
- Compressed waste will reduce any offensive odour from the waste
- Source segregation possible by using 2 or more containers
- Stainless steel design conforms to the ISO requirements regarding sanitation

# DT-2000



## WASTE COMPACTOR IN STAINLESS STEEL

COMPACT DESIGN WITH LARGE CAPACITY

VERTICAL COMPACTOR SAVES SPACE

STATIONARY COMPACTORHOUSE WITH  
EXCHANGABLE CONTAINERS

## EFFICIENT SYSTEM

- Space saving design. Vertical compactor.
  - Large loading opening/ hatch for waste deployment
  - Both container and compactor housing are equipped with robust industry wheels so they can be moved by manpower. In addition is the container equipped with forklift envelopes in order to move or empty the container with a forklift.
  - The container is designed to be emptied by standard renovation trucks.
  - The DT-2000 compactor is designed to also be placed outdoors if necessary .
- Both compactor and container are made of stainless steel so that they can withstand the most severe weather conditions or for example be placed in a saline saturated environment. The stainless steel design is also important when it comes to maintenance cost and working life time for the equipment.



Havnegata 7 • 8430 MYRE • NORWAY  
Tel.: +47 76 13 47 00 • Fax: +47 76 13 42 77  
e-mail: [mail@delitek.no](mailto:mail@delitek.no) • Web: <http://www.delitek.no>