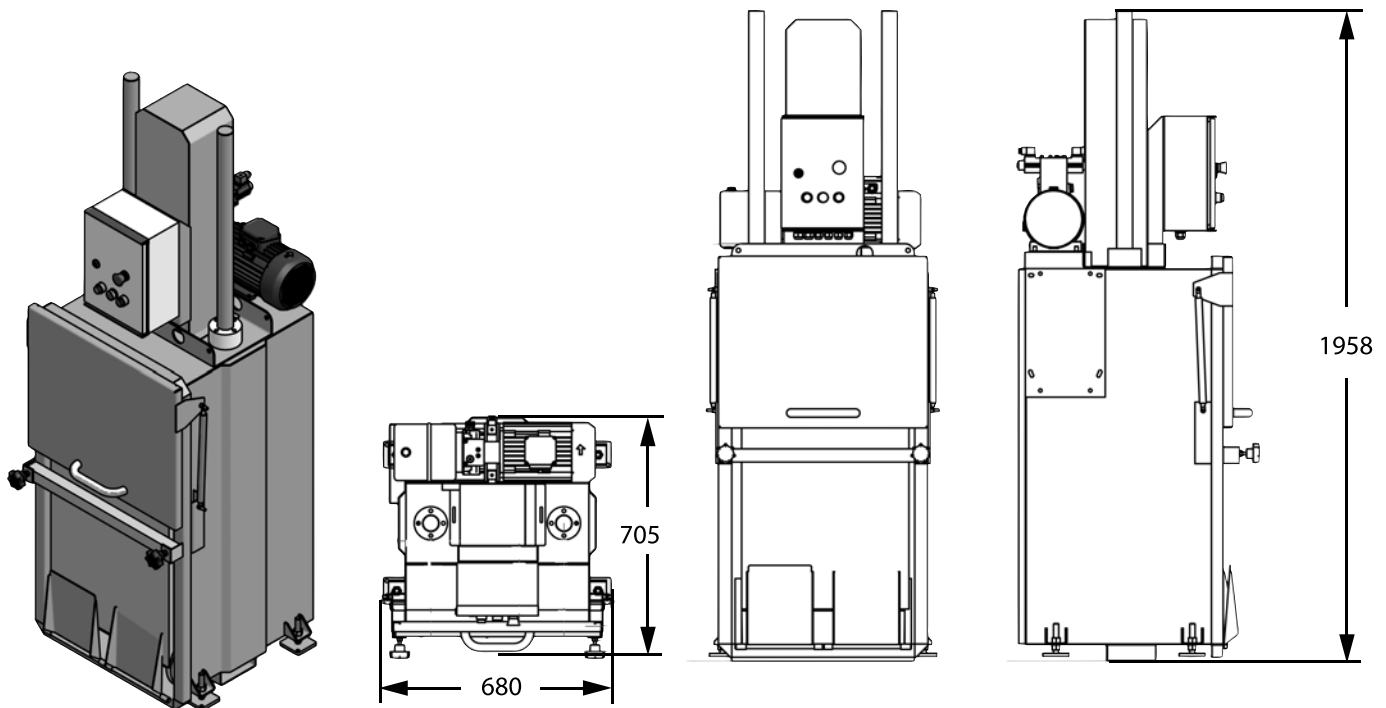




## Model DT-200i

The DT-200i is a smaller version of our renowned waste compactor, the DT-500MKII model. As a direct results of a higher focus on the environment today, new ships and offshore installations are now outfitted with special garbage rooms onboard. Normally these garbage rooms have very limited space, and they will therefore require small and compact waste handling solutions that can be operated by one person.

Our new DT-200i model will certainly meet those requirements. You can have one small compactor unit with for example four (4) interchangeable containers for different waste segregations. Still it will be a compact and space saving system. The DT-200 can even combine compaction in bags and standard baling operation. The unique separate container system also means that one man can roll the full container to the nearest deployment station without any lifting the bag.



### Technical data, Model DT-200i:

Volume	180 litres container
Loading opening (mm)	650 x 260mm
External dimensions (mm)	680 x 705 x 1958
Stroke (mm)	600
Compaction force	9 ton
El-motor	1,5kW
El-power	220~240V/ 380~440V/ 480V/ 690V , 50~60Hz, 16A, 3 phase
Weight	201 Kg

